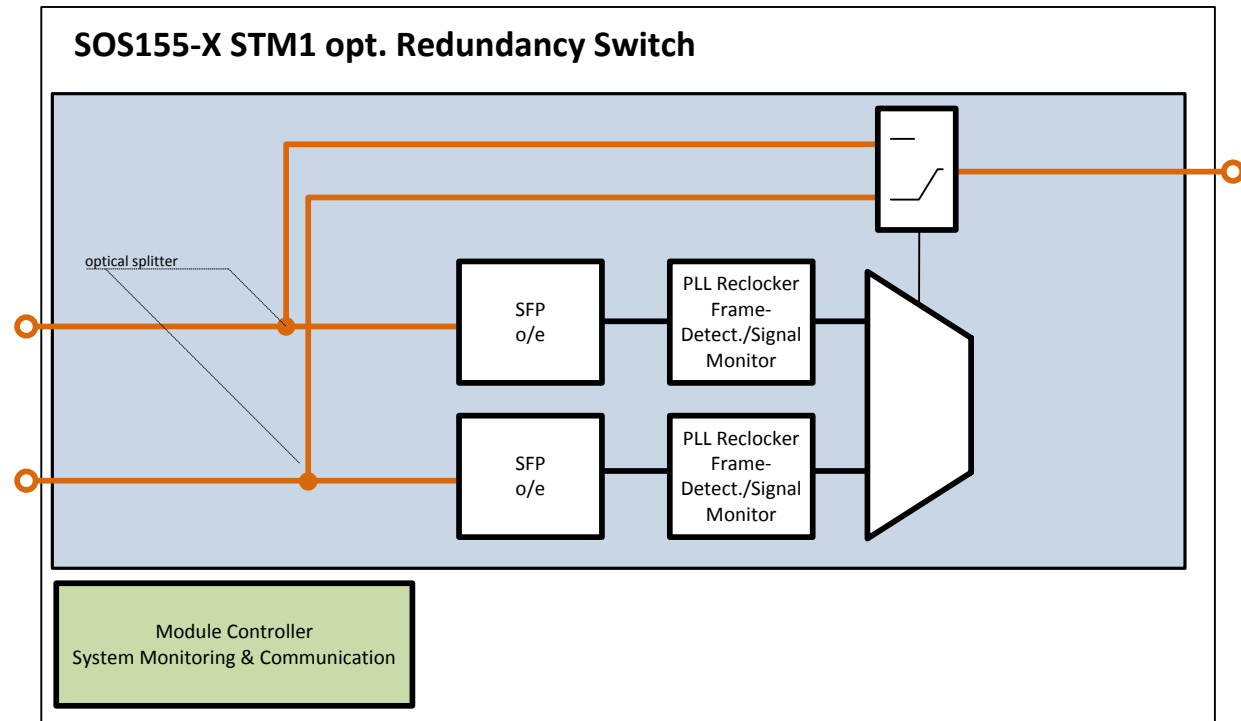


SOS155-X optical STM-1 switch „1 of 2“



This optical STM-1 switch provides switching of optical STM-1 signals acc. to ITU-T G.703. Both inputs signals are split 50:50 or 70:30, where 50% or 30% signal is used for status detection *. In case of power fail the last switching path will be maintained. The switching delay can be set by the system controller software. The SOS155-X uses pluggable SFP modules, so that a selection of wavelength and sensitivity can be made upon order.

SOS155-X is a product of Headroom Broadcast. It belongs to the group of monitoring and switching devices for video, audio and telecom signals, covering single purpose stand-alone devices as well as multi format modular systems for signal management.

Technical data

Signal format	optical STM-1signal acc. to. ITU-T G.703 155 Mbps
Inputs	2 optical
Outputs	1 optical
Connectors	SM - LC
Wavelength	1310nm (or other with SFP choice)
Detector criteria	Bit rate 155,520 Mbit/s STM1 frame (en/dis via SMI-X controller) Min level -24 dBm (or higher with SFP choice)
Indicators	LED orange – module active LED yellow – power supply ok LED green - signal applied o.k. (A and B) LED green – switch position A or B LED red - error
Power Supply	typ. 8 W

*) typical values, split ratio selected to fit SFP and customer's needs

SOS155-X is a product of Headroom Broadcast. It belongs to the group of monitoring and switching devices for video, audio and telecom signals, covering single purpose stand-alone devices as well as multi format modular systems for signal management.