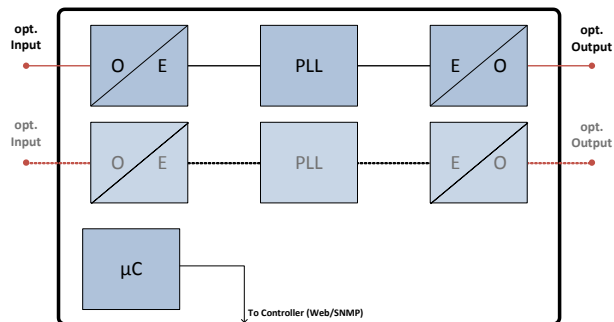


OVR-X single or dual channel opt. repeater for SD-, HD-SDI and ASI

The OVR-X is an optical repeater for SD-SDI, HD-SDI and ASI signals.

It is a standard sized module for HEADROOM Broadcast's HSM-X modular platform using one physical slot in the system. The input/s is/are monitored and failure notifications will be delivered via SNMP-trap/notification of the SMI-X system controller if included.



The input signal/s will be refreshed, reclocked and amplified.

Technical data

Input	1x or 2x opt. SDI/ASI 1310nm Single Mode LC/PC
Input power min.	-17.5 dBm @2.97Gbps (pathological) - 19.5 dBm @1.485Gbps/270Mbps (pathological)
Output	1x or 2x opt. SDI/ASI 1310nm Single Mode LC/PC
Output power	Max. -0.5 dBm Typ. -2.5 dBm Min. -5.5 dBm
Monitor Output (Optional)	BNC 75 Ohm (available for single channel only)
Alarm criteria	LOS TRS detect (SDI) Sync detect (ASI)
Indicators	Power Supply - yellow Conf. – green (module in system configuration) Signal – green for o.k. Error - red
Power supply	typ. 6W

OVR-X is a product of Headroom Broadcast. It belongs to the group of monitoring and switching devices for video, audio and telecom signals, covering single purpose stand-alone devices as well as multi format modular systems for signal management.