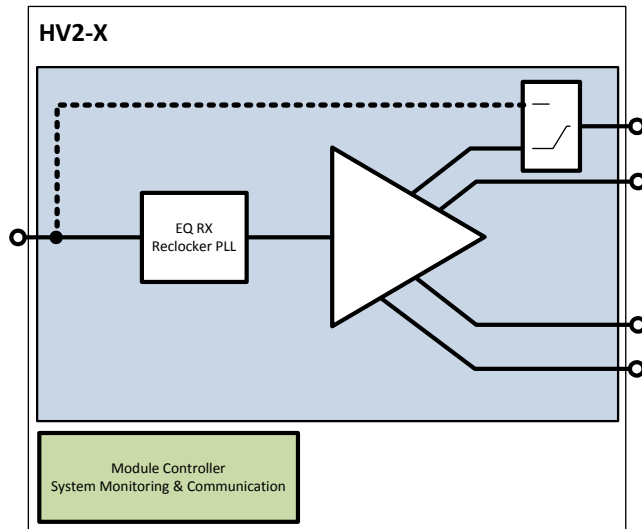


HV2u-X, HV2s-X E1 splitter “1 to 4”



(u – unbalanced interfaces 75 Ω, s – balanced interfaces 120 Ω)

The input signal pass automatic cable equalizers to cope with long coaxial cables.

A PLL based re-timer circuitry re-clocks input signal, providing standard compliant signals to the output.

There are two connector versions, BNC (75 Ω) or RJ45 (120 Ω). (D-Sub balanced 120 Ω, 1.0/2.3 for 75 Ω upon request.)

All internal status/alarm signals, as well as results of measurements, are processed by a micro controller and passed to the SMI-X system controller module.

In case of power fail a bypass to output 1 is set.

Technical data

Signal format	electr. E1 (HDB3) acc. to G.703 at 75 Ω or 120 Ω
Outputs	4
Input impedance	75 Ω / 120 Ω
Output impedance	75 Ω / 120 Ω
Connectors	BNC type 75 Ω, IEC169/8 (HV2u-X) RJ-connector 120 Ω (HV2s-X)
Detector criteria	LOS
Indicators	LED yellow – module active LED green - signal applied o.k.
Power Supply	typ. 4W

HV2s-X, HV2u-X are products of Headroom Broadcast. They belong to the group of monitoring and switching devices for video, audio and telecom signals, covering single purpose stand-alone devices as well as multi format modular systems for signal management.