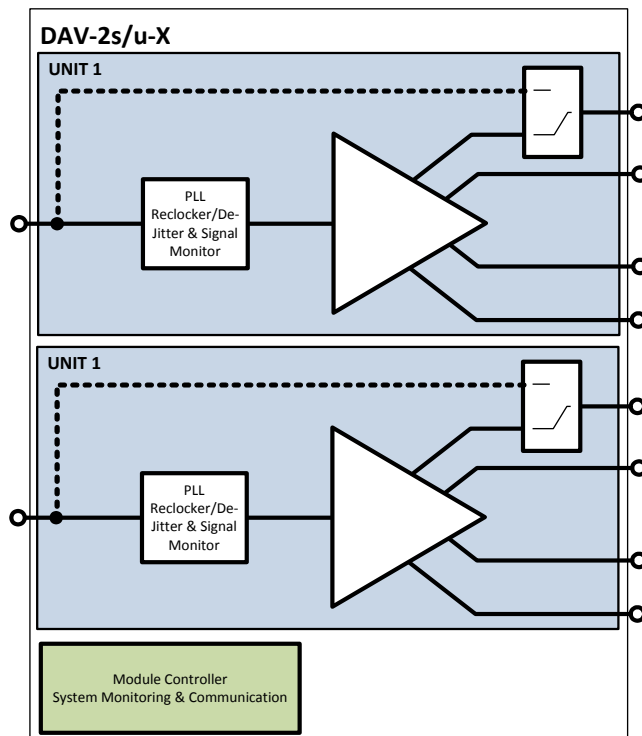


Datasheet DAV-2s-X, DAV-2u-X

Dual 1-to-4 AES/EBU Audio Splitter DA for HSM-X



The DAV-2s-X and DAV-2u-X are digital audio distributing amplifiers for the HEADROOM Broadcast HSM-X modular system.

Both feature two independent splitters with one input and four outputs. The input is monitored and reclocked for low jitter. The status of all inputs is signaled to the system controller SMI-X for SNMP/Web display and signalled by LEDs on the modul's front panel. Please refer to the system manual for the web and SNMP implementation details. Each unit can be deactivated individually in the web interface, to suppress the light up of the major error LED when that unit is not used.

Their input is fed to the first output over bypass relays in case of power loss. This

prevents a single point of failure in redundant networks. The HEADROOM Broadcast DAS-44s/u-X is the fitting quad automatic switch on the receiving side for this use case.

One module will fit in one slot of a HSM-X cabinet (HBB3-X or PB1-X). All connectors and LED are located on the front of the module.

The DAV-2s-X is the balanced version with SUB-D connectors for inputs and outputs. The DAV-2u-X is the unbalanced version with DIN 1.0/2.3 connectors.

Technical Data

DAV-2u-X

AES3 inputs	digital audio AES-3
Input level	nominal 1V
Impedance	75 Ω
Interface	4 x coaxial connector 1.0/ 2.3, 75 Ω
Interface protection	transformer coupled
AES3 outputs	digital audio AES-3id
Output level	nominal 1V
Impedance	75 Ω
Interface	8 x coaxial connector 1.0/ 2.3, 75 Ω
Interface protection	transformer coupled
Signal quality criteria	AES3 framing, Biphase-Mark violation
LED	Yellow; power 2 x green; audio signal per input Red; error Orange; configured
Power consumption	max. 3 watts

DAV-2s-X

AES3 inputs	digital audio AES-3
Input level	max. 7V _{pp}
Impedance	110 Ω
Interface	SUB-D 15 female (Tascam pin layout)
Interface protection	transformer coupled
AES3 outputs	digital audio AES-3
Output level	typ. 5V _{pp}
Impedance	110 Ω
Interface	SUB-D 25 female (Tascam pin layout)
Interface protection	transformer coupled
Signal quality criteria	AES3 framing, Biphase-Mark violation
LED	see DAV-2u-X
Power consumption	max. 3 watts

DAV-2s-X Pin Layout

(HW) marks the bypassed output in powerless state

