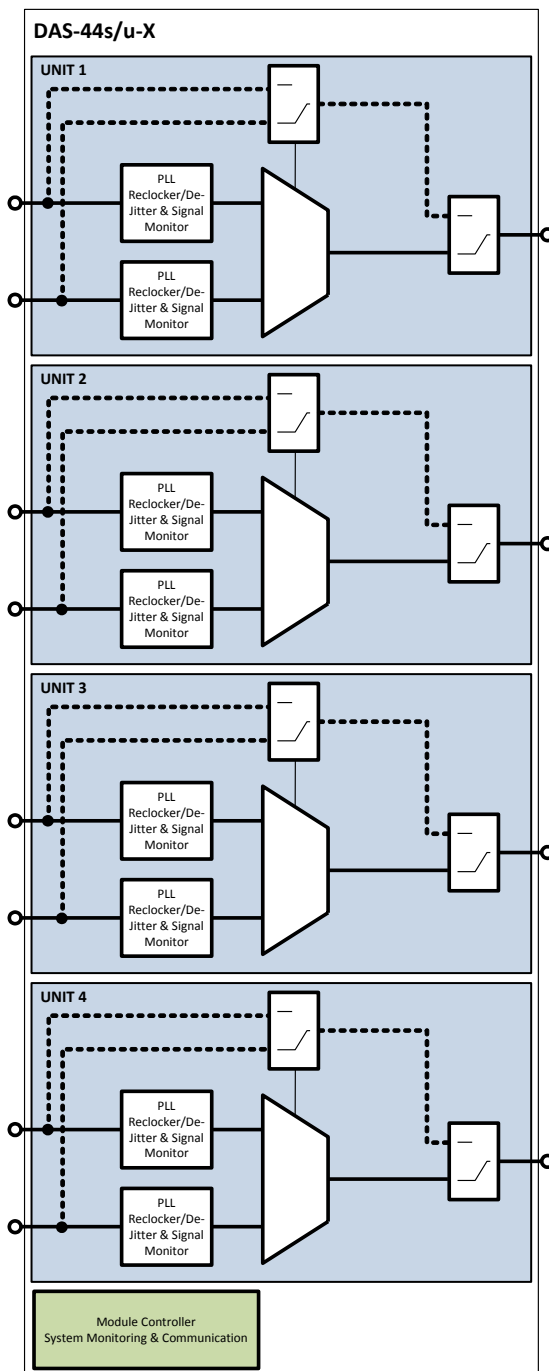


Datasheet DAS-44s-X, DAS-44u-X, DAS-4s-X, DAS-4u-X,

Quad AES/EBU Audio Backup Switch for HSM-X



The DAS-44s-X, DAS-44u-X, DAS-4s-X and DAS-4u-X are automatic digital audio backup switches for the HEADROOM Broadcast HSM-X modular system.

The DAS-44s-X and DAS-44u-X feature four independent switches with two inputs and one output each. The inputs are monitored and reclocked for low jitter. The monitor checks for AES/EBU framing and frame errors as well as the status of the V-bit. All incoming channels are simultaneously monitored for silence with adjustable parameters. The switch automatically selects the an error free input if available. The status of all inputs and switches is signaled to the system controller SMI-X for SNMP/Web display and signalled by LEDs on the modul's front panel. Please refer to the system manual for the web and SNMP implementation details.

Each unit can be deactivated individually in the web interface, to surpress the light up of the major error LED when that unit is not used.

The last chosen input is fed to the output over bypass relays in case of power loss. This prevents a single point of failure in redundant networks. The HEADROOM Broadcast DAV-4s/u-X is the fitting quad splitter DA on the receiving side for this use case.

One module will fit in one slot of a HSM-X cabinet (HBB3-X or PB1-X). All connectors and LED are located on the front of the module.

The DAS-4s-X and DAS-4u-X is a special version with all switch units linked for phase synchronous needs.

Technical Data

DAS-44u-X, DAS-4u-X

AES3 inputs	digital audio AES-3id
Input level	nominal 1V
Impedance	75 Ω
Interface	8 x coaxial connector 1.0/ 2.3, 75 Ω
Interface protection	transformer coupled
AES3 outputs	digital audio AES-3id
Output level	nominal 1V
Impedance	75 Ω
Interface	4 x coaxial connector 1.0/ 2.3, 75 Ω
Interface protection	transformer coupled
Signal quality criteria	AES3 framing, Biphase-Mark violation
Optimal criteria (en/disable)	V-Bit, Parity violation, CRC-violation, audio silence detector
LED	Yellow; power 8 x green; audio signal per input 4 x 2 green; switch state (input A or B selected) Red; error Orange; configured
Power consumption	max. 3 watts

DAS-44s-X, DAS-4s-X

AES3 inputs	digital audio AES-3
Input level	max. 7V _{pp}
Impedance	110 Ω
Interface	SUB-D 25 female (Tascam pin layout)
Interface protection	transformer coupled
AES3 outputs	digital audio AES-3
Output level	typ. 5V _{pp}
Impedance	110 Ω
Interface	SUB-D 15 female (Tascam pin layout)
Interface protection	transformer coupled
Signal quality criteria	AES3 framing, Biphase-Mark violation
Optimal criteria (en/disable)	V-Bit, Parity violation, CRC-violation, audio silence detector
LED	see DAS-44u-X
Power consumption	max. 3 watts

DAS-44s-X, DAS-4s-X Pin Layout

