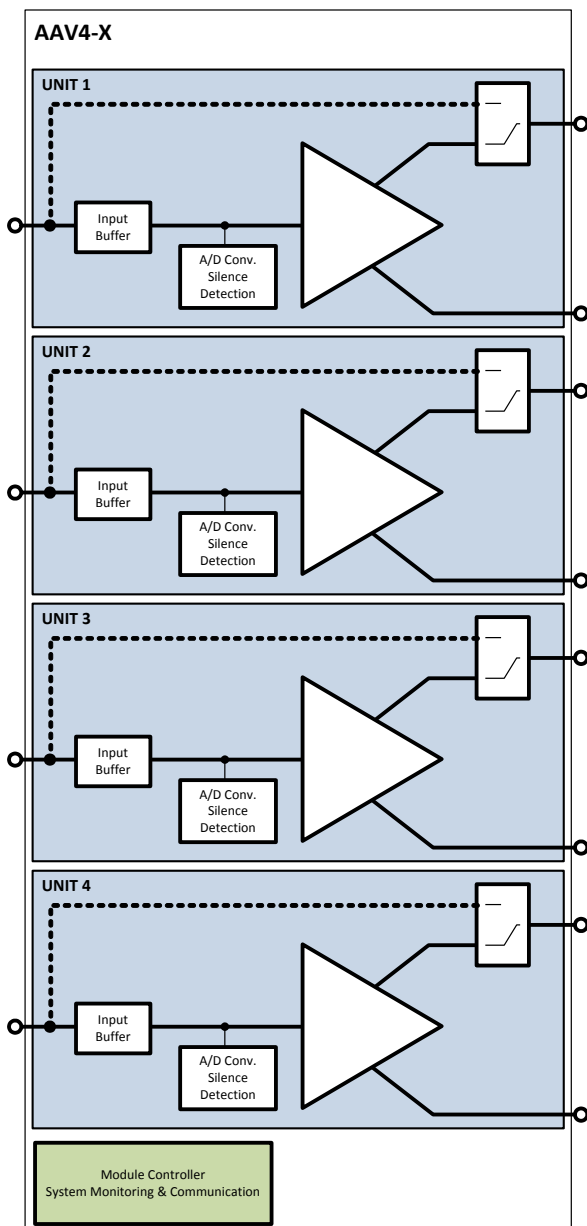


## Datasheet AAV4-X

### Dual 1-to-2 Stereo (Quad Mono) Analog Audio Splitter DA for HSM-X



The AAV4-X is an analog audio distributing amplifier for the HEADROOM Broadcast HSM-X modular system.

The input is buffered and monitored with a high impedance ADC.

The status of all inputs is signaled to the system controller SMI-X for SNMP/Web display and signalled by LEDs on the modul's front panel. Please refer to the system manual for the web and SNMP implementation details.

Each unit can be deactivated individually in the web interface, to suppress the light up of the major error LED when that unit is not used.

The output has an on-board switch to change the output level so there is no loss when driving 600Ω inputs.

The input of each unit is fed to the first output over bypass relays in case of power loss. This prevents a single point of failure in redundant networks.

One module will fit in one slot of a HSM-X cabinet (HBB3-X or PB1-X). All connectors and LED are located on the front of the module.

## Technical Data

<b>Inputs</b>	Analog Audio
<b>Input level</b>	max. 21 dBu
<b>Impedance</b>	>1 K $\Omega$
<b>Interface</b>	SUB-D 15 female (Tascam pin layout)
<b>Outputs</b>	digital audio AES-3
<b>Impedance</b>	50 $\Omega$
<b>Interface</b>	SUB-D 25 female (Tascam pin layout)
<b>Idle Noise</b>	-98 dBu a-Weighted
<b>THD+N</b>	-90 dBu a-Weighted (0.003%)
<b>Crosstalk</b>	> -96 dB
<b>Signal quality criteria</b>	Silence longer than ca. 30 seconds (RMS signal lower than -43 dBu <sup>1</sup> )
<b>LED</b>	Yellow; power 4 x green; audio signal per input Red; error Orange; configured
<b>Power consumption</b>	max. 3 watts

---

<sup>1</sup> fixed value but adjustable in firmware

# AAV4-X Pin Layout

(HW) marks the bypassed output in powerless state

